

FEED AND BIOFUEL  
**SEPARATOR**  
TYPE SEP

The hammer mill is a critical component in most feed manufacturing operations. Its performance and reliability can only be optimized if it

receives a steady, consistent, uniform supply of material across the full intake area of the hammer mill.

**ANDRITZ**

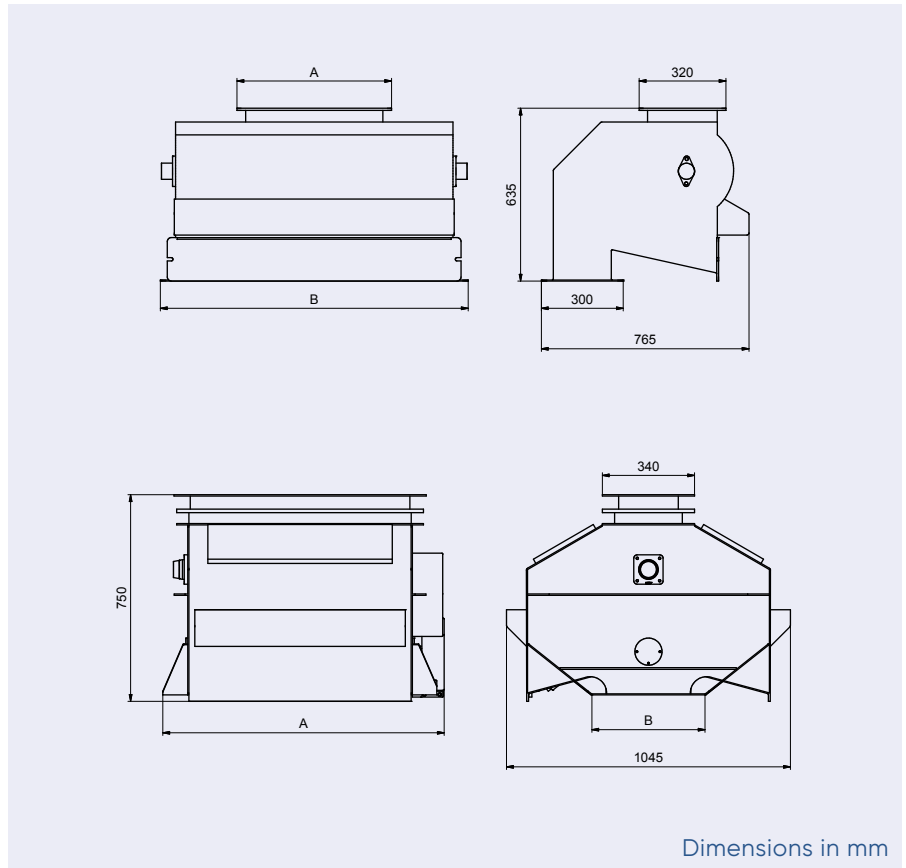
**ENGINEERED SUCCESS**

## THE SEPARATOR DESIGN

The separator is an essential component for optimal grinding. ANDRITZ separator ensures that the hammer mills are supplied with a material flow, which is free of foreign objects.

Stones and non-magnetic material falls down into the drawer, while iron particles are retained by the magnet. By removing the foreign objects the hammer mill is protected against damage and stable operation is ensured.

To increase the performance of the hammer mills, a double separator can be used. The ANDRITZ double separator directs the material flow into the direction of rotation of the rotor for increased performance.



## TECHNICAL DATA

### Separator single series

SEP	A	B	Used for
Type	mm	mm	Hammermill type
SEP601	570	730	Multi 630B
SEP801	570	930	Multi 800B
SEP1001	570	1135	Multi 1000B

## TECHNICAL DATA

### Separator double series

SEP	A	B	Used for
Type	mm	mm	Hammermill type
SEP501D	640	410	OPT 500
SEP601D	770	310	Multi 630B
SEP701D	840	410	OPT 700
SEP801D	940	310	MULTI 800B
SEP901D	1040	410	OPT 900
SEP1001D	1140	310	MULTI 1000B
SEP1201D	1395	415	OPT 1201
SEP1401D	1570	310	Multi 1400D

## ANDRITZ Feed and Biofuel A/S

[andritz-fb.dk@andritz.com](mailto:andritz-fb.dk@andritz.com)

p: +45 72 160 300 / [andritz.com/ft](http://andritz.com/ft)



All data, information, statements, photographs and graphic illustrations in this leaflet are without any obligation and raise no liabilities to or form part of any sales contracts of ANDRITZ AG or any affiliates for equipment and/or systems referred to herein. © ANDRITZ AG 2018. All rights reserved. No part of this copyrighted work may be reproduced, modified or distributed in any form or by any means, or stored in any database or retrieval system, without the prior written permission of ANDRITZ AG or its affiliates. Any such unauthorized use for any purpose is a violation of the relevant copyright laws. ANDRITZ AG, Stattegger Strasse 18, 8045 Graz, Austria.



1285 GB

B 0718